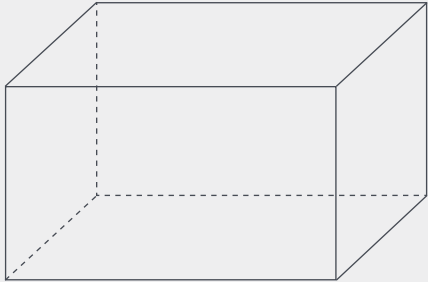
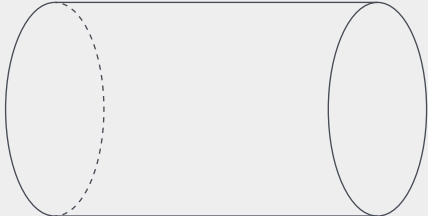
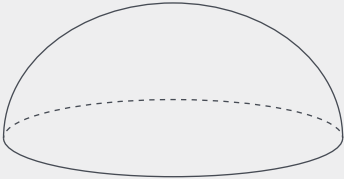
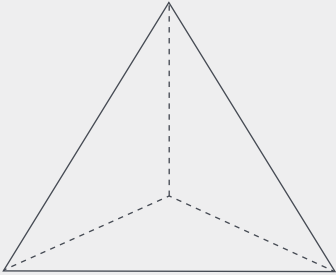
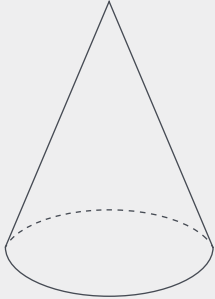


Find 3D shapes around you

3D shape to find:	What you've found:	What is the object for?
<p data-bbox="174 276 389 300">Rectangular prism</p> 		
<p data-bbox="174 679 277 703">Cylinder</p> 		
<p data-bbox="174 1083 315 1107">Hemisphere</p> 		

Find 3D shapes around you

3D shape to find:	What you've found:	What is the object for?
<p data-bbox="174 276 360 300">Triangular prism</p> 		
<p data-bbox="174 679 241 703">Cone</p> 		
<p data-bbox="174 1083 241 1107">Cube</p> 